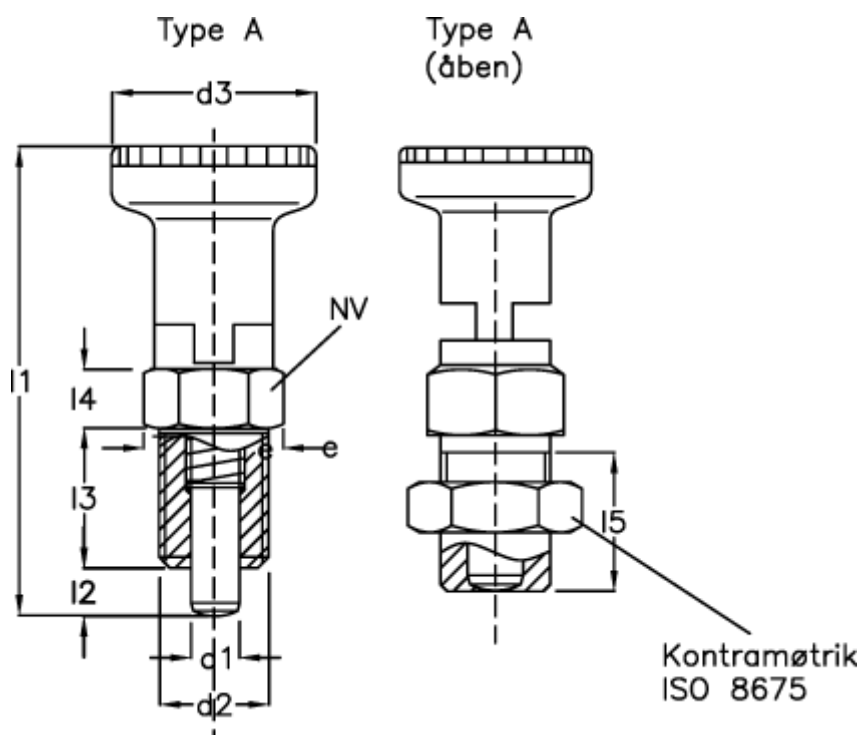


Article number: 20617110ANI
 Description: E+G Indexing plunger
 GN 617.1-10-A-NI

Measures



d1 = 10	l5	= 30
d2 = M20x1,5	NV	= 22
d3 = 31	Spring pressure N bottom	= 40.0
e = 25.4	Spring pressure N top	= 18.0
l1 = 91.0		
l2 = 10		
l3 = 33		
l4 = 10		